



## MV501 2G Vehicle GNSS Tracker

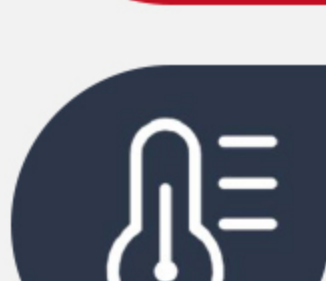
MiCODUS MV501 is the latest 2G GSM Multi-functional vehicle tracker with 300 mAh big backup battery. It has anti-theft alarms such as: engine start/flameout alarm, geo-fence, vibration alarm, movement alarm, cut wire alarm etc, it also supports cut off fuel, voice monitor, sos, fuel sensor, temperature sensor, camera and ibutton.

2.82oz(80g)



107(L) x 51(W) x 20(H)mm

-20 degrees ~ 75 degrees



3.7v 300mAh  
Lion polymer battery

- 2G
- Real-time Tracking
- Historical Route Playback
- 300 mAh
- Cut Off Fuel/Resume Fuel
- SOS SOS
- Voice Monitor
- Engine On/OFF Alarm
- Overspeed Alarm
- Vibration Alarm
- Movement Alarm
- Geo-fence
- Cut Wire Alarm
- GPIO Temperature Sensor, Fuel Sensor, Camera

### REGION

Worldwide

### OPERATION BANDS

2G GSM/GPRS/EDGE: 850/900/1800/1900MHz

### POSITION ACCURACY

GNSS Accuracy: <5 meters

### CERTIFICATES

CE, RoHS

## Applications



Car Rental



Private Car



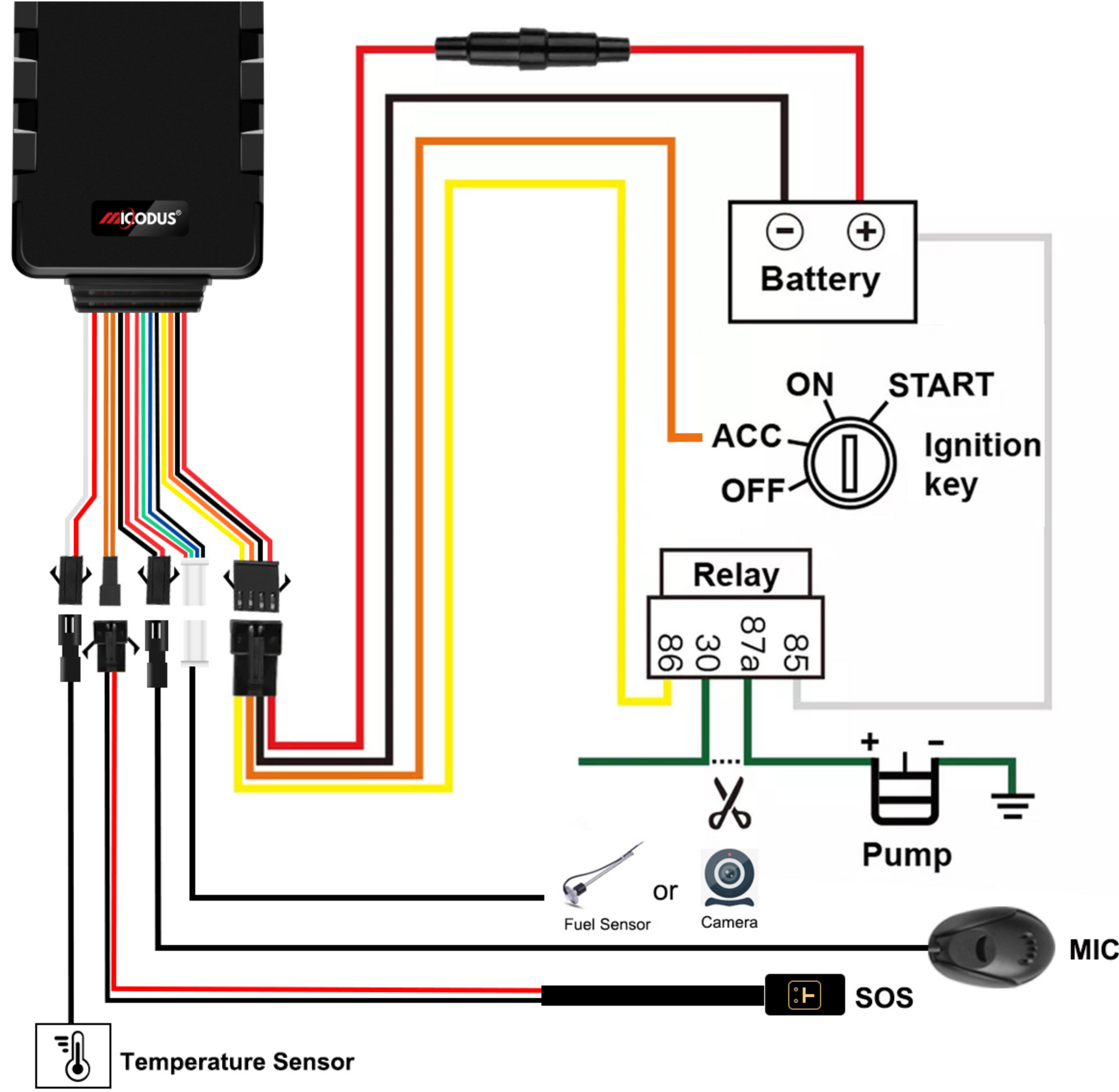
Fleet Management



Motorcycle



Truck



Device Information	Model	MV501
	Weight	150g
	Dimensions	107mm(L) * 51mm(W) * 20mm(H)
	Battery Working Time	Tracking Mode: 6-8 hours
Working Parameters	Working Voltage	DC 9- 95V
	Battery Capacity	3.7V 300mAh Lion Polymer battery
	Working Temperature	-20°C - 75°C
	Working Humidity	10%-85%RH non-condensing
Cellular Specifications	Working Network	2G GSM/EDGE
	Chipset	MTK6261
	SIM Card	Normal SIM Card
	Cellular Antenna	Built-in
GNSS Specifications	Positioning Type	GPS+ GLONASS +LBS
	GPS Antenna	Built-in
	Cold Start	≤32 Seconds
	Hot Start	≤1 Second
	Tracking sensitivity	-162 dBm
	GPS Channels	64
Position Accuracy	5-10m	