



## MV501G 4G Vehicle GNSS Tracker

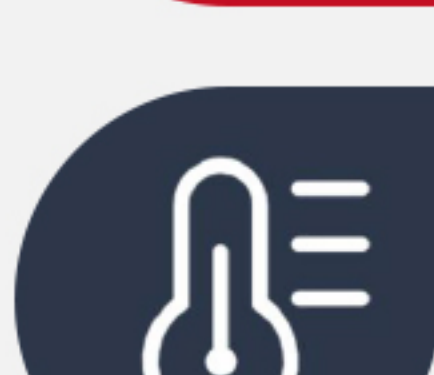
MiCODUS MV501G is the latest 4G LTE CAT1 Multi-functional vehicle tracker with 1000mAh big backup battery. It has anti-theft alarms such as: engine start/flameout alarm, geo-fence, vibration alarm, movement alarm, cut wire alarm etc, it also supports cut off fuel, voice monitor, sos, fuel sensor, temperature sensor, camera and ibutton.

2.82oz(80g)



107(L) x 51(W) x 20(H)mm

-20 degrees ~ 75 degrees



3.7v 1000mAh  
Lion polymer battery

- 4G+2G
- Real-time Tracking
- Historical Route Playback
- 1000mAh
- Cut Off Fuel/Resume Fuel
- SOS SOS
- Voice Monitor
- Engine On/OFF Alarm
- Overspeed Alarm
- Vibration Alarm
- Movement Alarm
- Geo-fence
- Cut Wire Alarm
- GPIO Temperature Sensor, Fuel Sensor, Camera

### REGION

Worldwide

### OPERATION BANDS

4G LTE FDD: B1/B2/B3/B4/B5/B7/B8/B28/B66

2G GSM/GPRS/EDGE: 850/900/1800/1900MHz

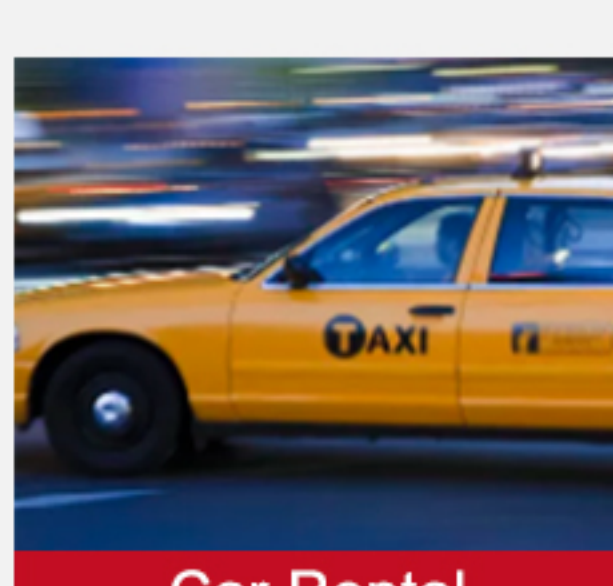
### POSITION ACCURACY

GNSS Accuracy: <5 meters

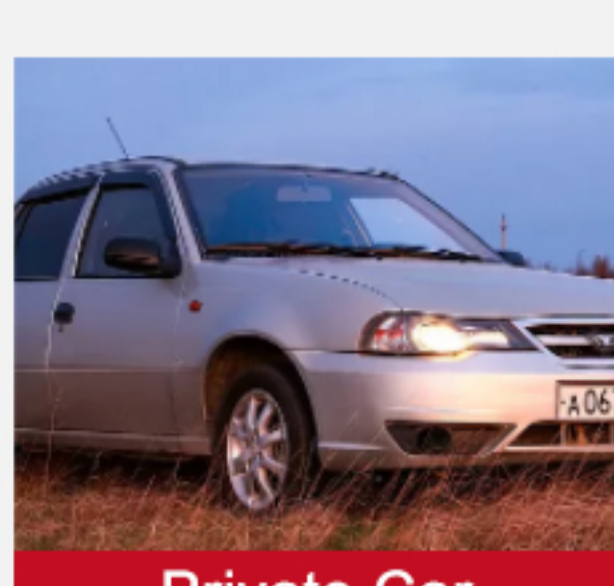
### CERTIFICATES

CE, FCC, RoHS

## Applications



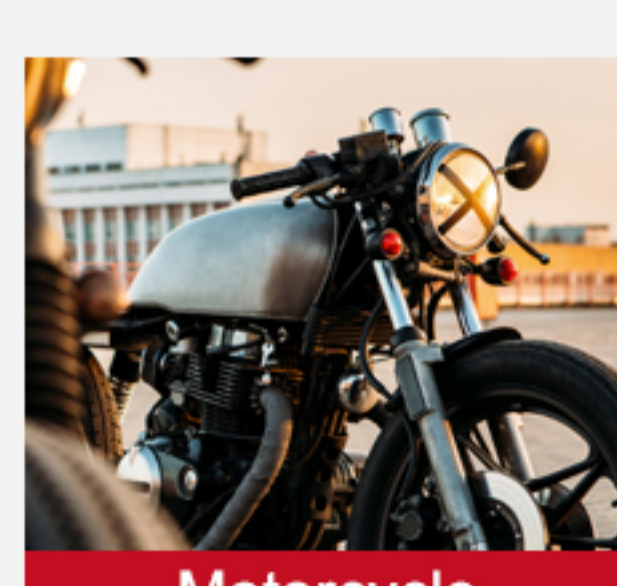
Car Rental



Private Car



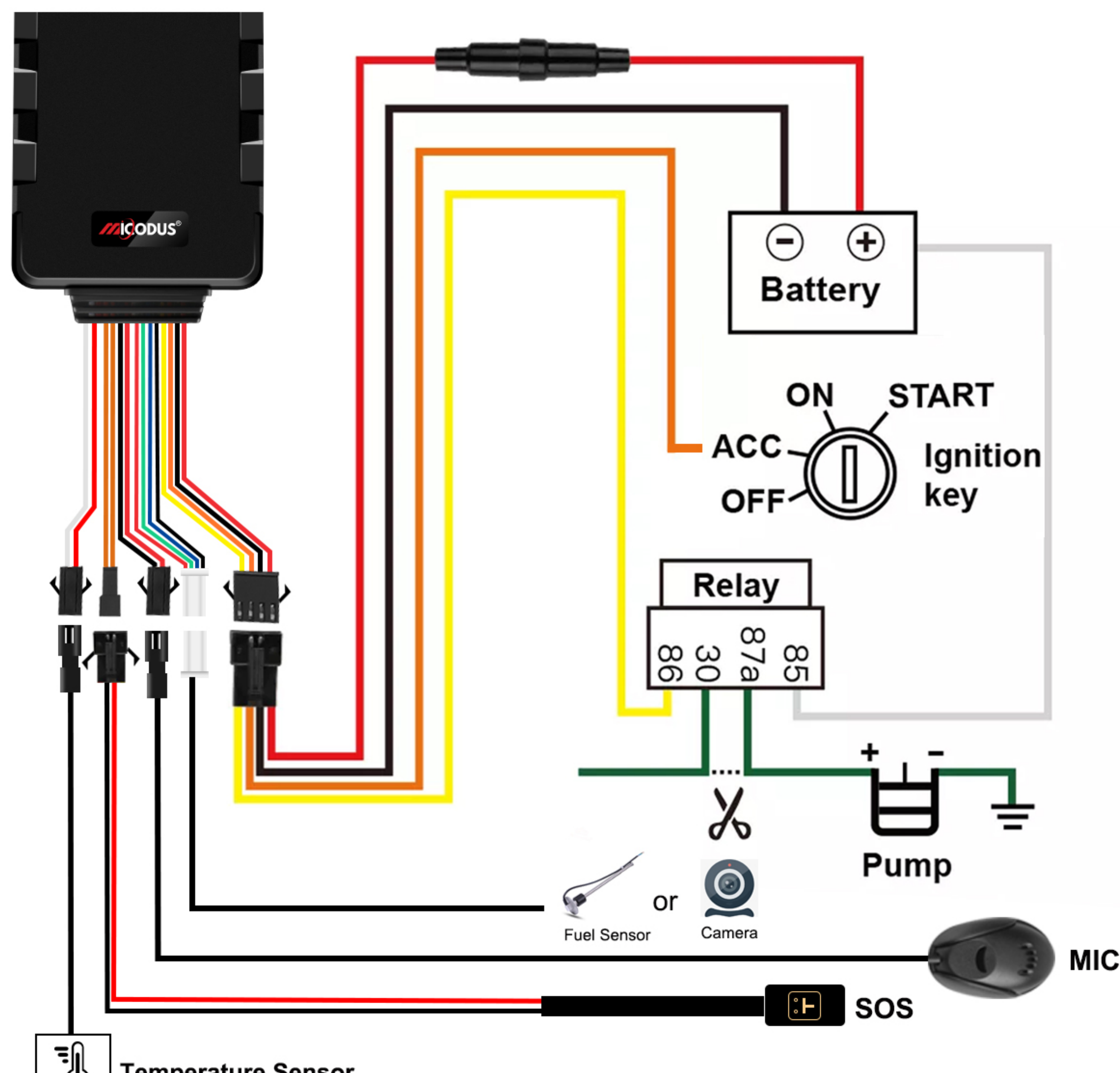
Fleet Management



Motorcycle



Truck



Device Information	Model	MV501G
	Weight	150g
	Dimensions	107mm(L) * 51mm(W) * 20mm(H)
	Battery Working Time	Tracking Mode:1-2 Days
Working Parameters	Working Voltage	DC 9- 95V
	Battery Capacity	3.7V 1000mAh Lion Polymer battery
	Working Temperature	-20°C - 75°C
	Working Humidity	10%-85%RH non-condensing
Cellular Specifications	Working Network	4G LTE-FDD/TDD+2G GSM/EDGE
	SIM Card	Normal SIM Card
	Cellular Antenna	Built-in
GNSS Specifications	Positioning Type	GPS+BEIDOU+LBS
	GPS Antenna	Built-in
	Cold Start	≤32 Seconds
	Hot Start	≤1 Second
	Tracking sensitivity	-162 dBm
	GPS Channels	64
Position Accuracy	5-10m	