



MV208 Quick Setup Guide

Learn how to set up your new Micodeus Tracker

Copyright ©2020 MICODEUS | All Rights Reserved

1. Specification

Frequency	GSM 850/900/1800/1900MHz
GPRS	Class 12, TCP/IP
Location accuracy	<10 meters
TTFF (open sky)	Avg. hot starts 1sec Avg. cold starts 32sec
Battery	100mAh/3.7V industrial grade li-ion polymer battery
Working voltage/current	9-72VDC/8mA(36V DC)
Operating temperature	-20°C ~ +70°C
Dimension	73.8(L) X 25.9(W) X 12.2(H) mm
Weight	26.5g

2. SIM Card Installation & Power on



3. Activate Device

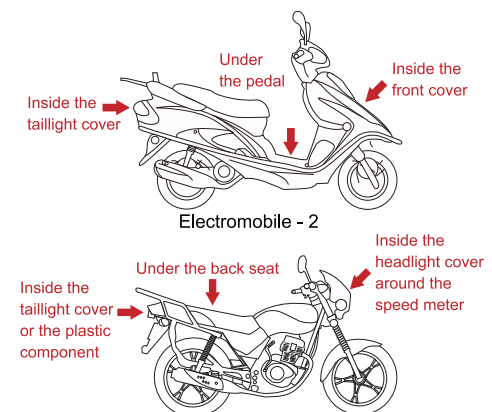
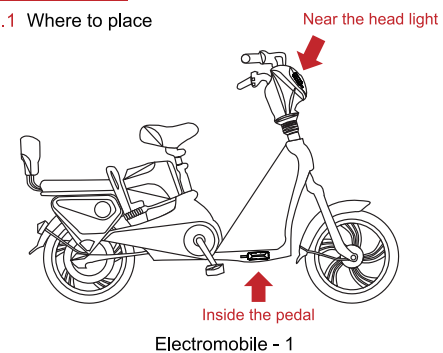
Inset the **Micro** Spionlink SIM, which comes with the package. No need to set APN. Included 1MB free data for quick activated. No contracts or other fees.



If there's no SIM card in the package, please buy a SIM card that must support **GSM&GPRS** and with enough credit.

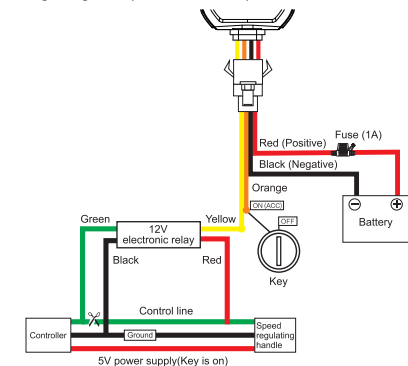
4. Wiring

4.1 Where to place



The device should face up to the sky to boost a better signal. Metal thermal barrier & windshield would weaken the signal.

4.2 Wiring diagram (electromobile)



4.3 Wiring Steps

- Step 1: Let the rear wheel hang in the air.
- Step 2: Find the control line of the speed regulating handle, which is in green or white and on the 3PIN of controller.
- Step 3: Cut the control line of the speed regulating handle into 2 parts, one side connects to the red line of electronic relay, and the other side connects to the green line.
- Step 4: Yellow line of 12V electronic relay connects to the power cutoff line of device (yellow), black line of 12V electronic relay connects to the ground line of the speed regulating handle.

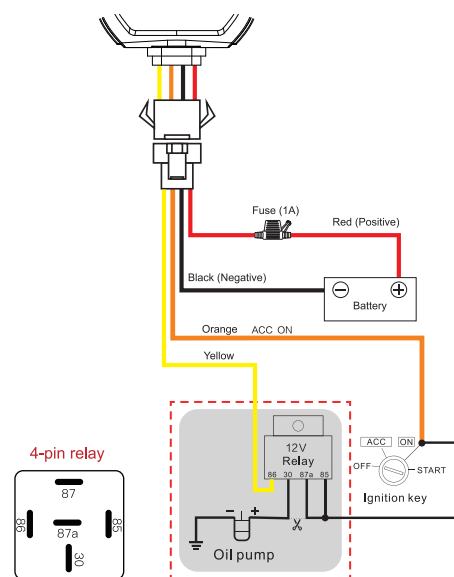
Tips:

1. It should use the 12V electronic relay specified by the manufacturer.
2. If you don't need the power cutoff function, it is ok that not connect the device's power line (yellow). Electronic relay just needed for power cutoff function.
3. Use multimeter to find the battery's anode & cathode, ACC line and control wire.
4. If the electromobile has burglar alarm, the orange line is the ACC line.

4.4 Installation Video

<http://www.micodus.com/news/videos>

4.5 Wiring diagram (motorcycle)



Note! ⚠️ ⚠️ ⚠️

If you need the power cutoff function on motorcycle, please buy a 12V 4-pin relay additionally, for the electronic relay that comes with package doesn't suit for motorcycle. But if you don't need it, it's ok that not connect the yellow line with the relay.

5. Install an App

Search "**MICODEUS**" on APP Store or Google Play, or just scan the QR Code.



Download on the APP Store

Download for Android

6. Sign in

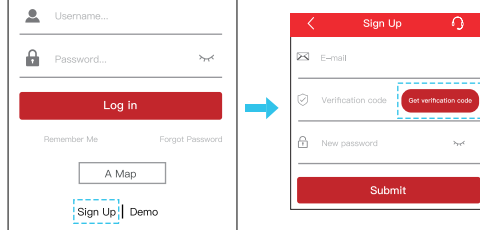
6.1 If this is your first Micodeus Device, tap **IMEI/ID** to input or scan the IMEI or ID number on your device.

The default password is **123456**.

6.2 If you would like to add devices on one account, tap **Username** then tap **Sign Up**.

Take a few minutes to sign up:

- 1 Fill in with your Email address
- 2 Tap **Get verification code**, apply Verification Code
- 3 Input the code, create your password (Ex: 2019GPstracker)



6.3 Tracking platform on Website: www.micodus.net

7. Start using your Micodeus Tracker

If you would like to learn more about the features, please open the APP to see the **User Guide**.

8. Any Questions?

E-mail: support@micodus.com
Skype: MICODEUS