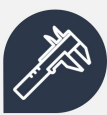


## MV730 Relay Vehicle Tracker

MV730 is the upgrade version of MV720, it has more ACC line, can detect the ignition status. It also can work with all vehicles during 9-90V. Its relay appearance makes it easily hidden under various wires of the car or slipped in a motorcycle trunk. It can help you to protect your car with multiple alarms and remote cut off fuel function

1.98oz (56g)



31 (L)x31 (W) X 57 (H) mm

-35 degrees ~ 70 degrees



3.7V 80mAh, Li-ion Battery



Relay Shape Hidden Design



Remotely Cut Off/Resume Fuel



9-90V Wide Working Voltage



Realtime Tracking On Google Maps



History Route Playback



Vibration Alert



Overspeed Alert



Cut Wire Alarm



Tow Alert



Ignition Detection



Auto ACC Arm



Geo-fence



Lifetime Free Tracking Platform

### REGION

Worldwide

### OPERATION BANDS

2G GSM 850/900/1800/1900MHz

### POSITION ACCURACY

GPS Accuracy<5m

### CERTIFICATES

CE/FCC

## Applications



Motorcycle



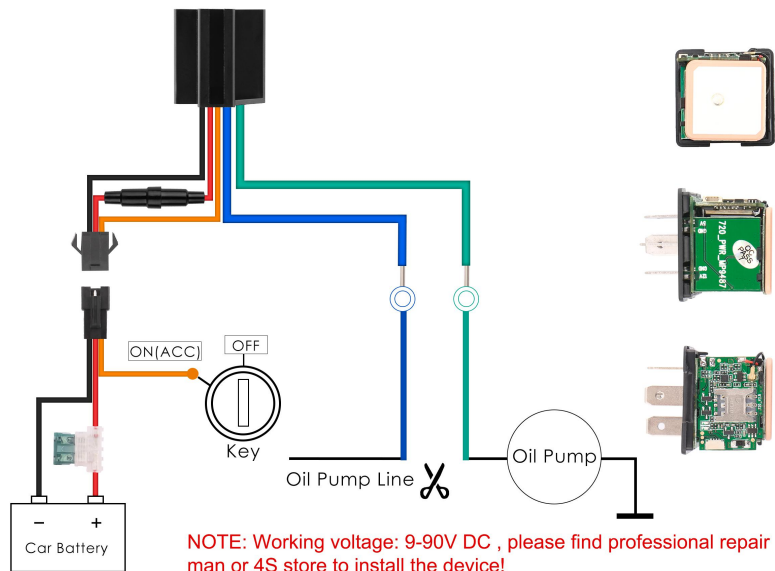
Car Rental



Fleet Management



E-bike



**NOTE: Working voltage: 9-90V DC , please find professional repair man or 4S store to install the device!**

Content	Specifications
Measurement	31 (L)x31 (W) X 57 (H) mm
Weight	53g
Network	2G GSM / GPRS
Group	2G GSM: 850/900/1800/1900 MHz
GPS sensitivity	-159dBm
GPS accuracy	5m
LBS accuracy	100-2000 m
GPS launch time	Cold start 45 S
	Warm status 35 S
	Hot start 1 s
Operating voltage	9-90VDC
Backup battery	Rechargeable 3.7V 80mAh Li-ion polymer battery
Storage temperature	-40 to + 85 degrees
Temperature control	-35 degrees to + 70 degrees
Humidity	5% - 95% non-condensing
Special functions	Anti-theft alarm, remote fuel shutdown, vibration alarm, Ignition detection