



MV710 Cost-effective Mini Vehicle Tracker

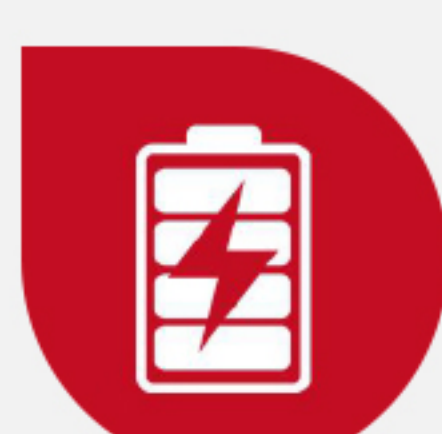
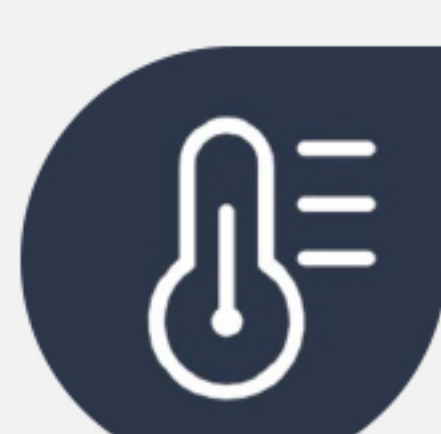
MV710 is the most cost-effective vehicle tracker with compact size, with wide working voltage 9-90V DC, it has all the basic necessary functions of vehicle tracker: real-time tracking, history route playback, cut off fuel, engine start alarm, vibration alarm, geo-fence, overspeed alarm, movement alarm, power disconnect alarm etc.

0.95oz(27g)



73(L) x 26(W) x 13(H)mm

-35 degrees ~ 70 degrees



3.7v 80mAh
Li-ion Battery



Compact Size



Remotely Cut Off/Resume Fuel



9-90V Wide Working Voltage



Realtime Tracking On Google Maps



History Route Playback



Vibration Alarm



Overspeed Alarm



Power Disconnect Alarm



Tow Alarm



Engine Start Alarm



Auto ACC Arm



Geo-fence



Lifetime Free Tracking Platform

REGION

Worldwide

OPERATION BANDS

2G GSM 850/900/1800/1900MHz

POSITION ACCURACY

GPS Accuracy<5 meters

CERTIFICATES

CE/FCC

Applications



Car Rental



Private Car



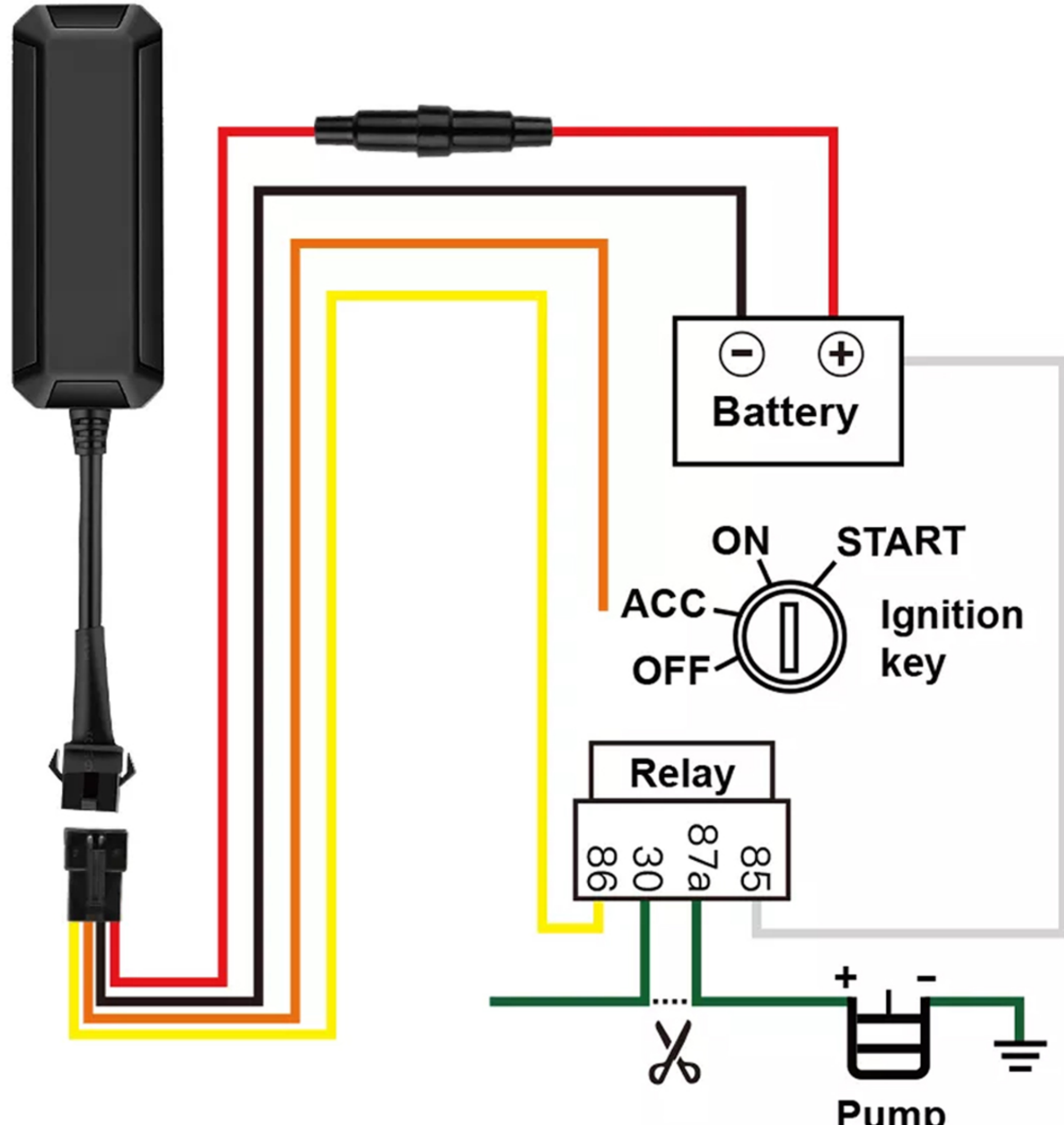
Fleet Management



Motorcycle



Truck



Device Information	Model	MV710
	Weight	27g
	Dimensions	73mm(L) * 26mm(W) * 13mm(H)
	Battery Working Time	2-4 hours
Working Parameters	Working Voltage	DC 9V - 90V
	Working Current	<30 mA
	Standby Current	<15 uA
	Battery Capacity	3.7V 150mAh Lion Polymer battery
	Working Temperature	-20°C - 70°C
Cellular Specifications	Working Humidity	5% - 95% Not solidified
	Working Network	2G GSM/GPRS: 850/900/1800/1900Mhz
	SIM Card	Nano SIM
GNSS Specifications	Cellular Antenna	Built-in
	Positioning Type	GSM/GPRS
	GPS Antenna	Built-in
	Cold Start	≤32 Seconds
	Hot Start	≤1 Second
	Tracking sensitivity	-162 dBm
	GPS Channels	64
Position Accuracy	5-10m	