

MV401G 4G LTE Vehicle Tracker

MV401G is the latest 4G LTE GPS tracker, it has multiple alarms such as speed, vibrate, geo-fence, collision, acc detection etc. It also has remote cut off fuel function. Besides, it also can be customized with SOS, iButton, temperature sensor and BLE host.

1.62oz (46g) 89(L) x 37(W) x 12(H) mm

-20 degrees ~ 70 degrees 3.7V 140mAh
Lithium-polymer battery

- Support GPS / GLONASS / Beidou / Galileo/Qzss
- Realtime Tracking On Goolge Maps
- History Route Playback
- Remote Cut Off / Resume Fuel
- ACC Detection For Ignition Status
- Collision Alarm
- Vibration Alarm
- Speed Alarm
- Geo-fence

REGION

Worldwide

OPERATION BANDS

GSM Band: B2/B3/B5/B8
GSM Band: B2/B3/B5/B8
LTE Band: FDD (B1/B2/B3/B4/B5/B7/B8/B28)
TDD (B40)

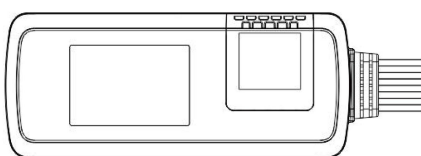
POSITION ACCURACY

GPS Accuracy<5m

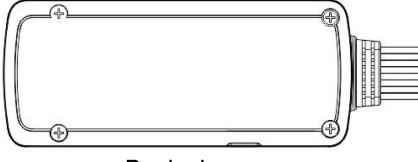
CERTIFICATES

CE/FCC

Applications



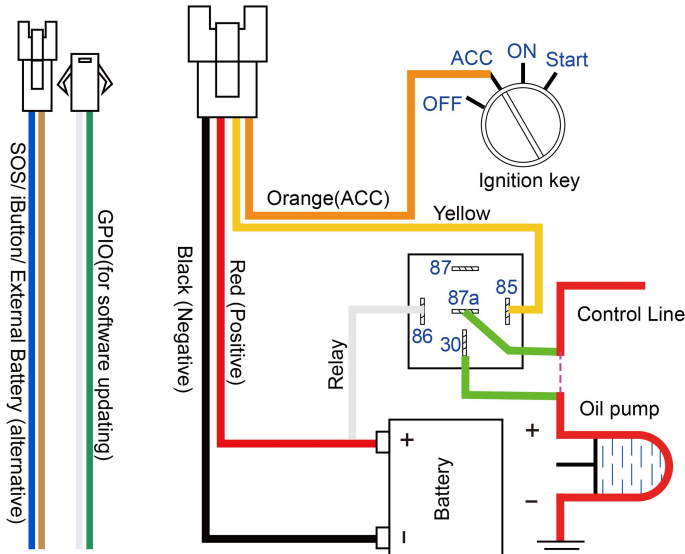
Front view(this side face up to the sky)



Back view

Tips:

MV401G has built-in GSM/LTE and GPS antenna, so it must **face up to the sky** to boost a better signal. Metal thermal barrier & windshield would weaken the signal !



Content	Specifications
Frequency	LTE : FDD(B1/B2/B3/B4/B5/B7/B8/B28);TDD(B40) WCDMA: B1/B2/B5/B8 GSM: B2/B3/B5/B8
Working Voltage	12 / 24 / 36 / 48 / 60 / 72 VDC
Working Current	GPRS(500mA); WCDMA(700mA); LTE(800mA)
Standby Current	Power off(20uA); SLEEP(3mA); IDLE(22mA)
GPRS	Class 12, TCP/IP
Location Accuracy	GPS: 5-15 meters; LBS: >100 meters
TTF (Open Sky)	Avg. hot starts <3sec Avg. cold starts <35sec
Built-in Battery	140mAh
Working Voltage/ Current	9-72VDC/8mA(36V DC)
Operating Temperature	-20°C ~ +70°C
Dimension(mm)	89(L) X 37(W) X 12(H)
Weight	46g